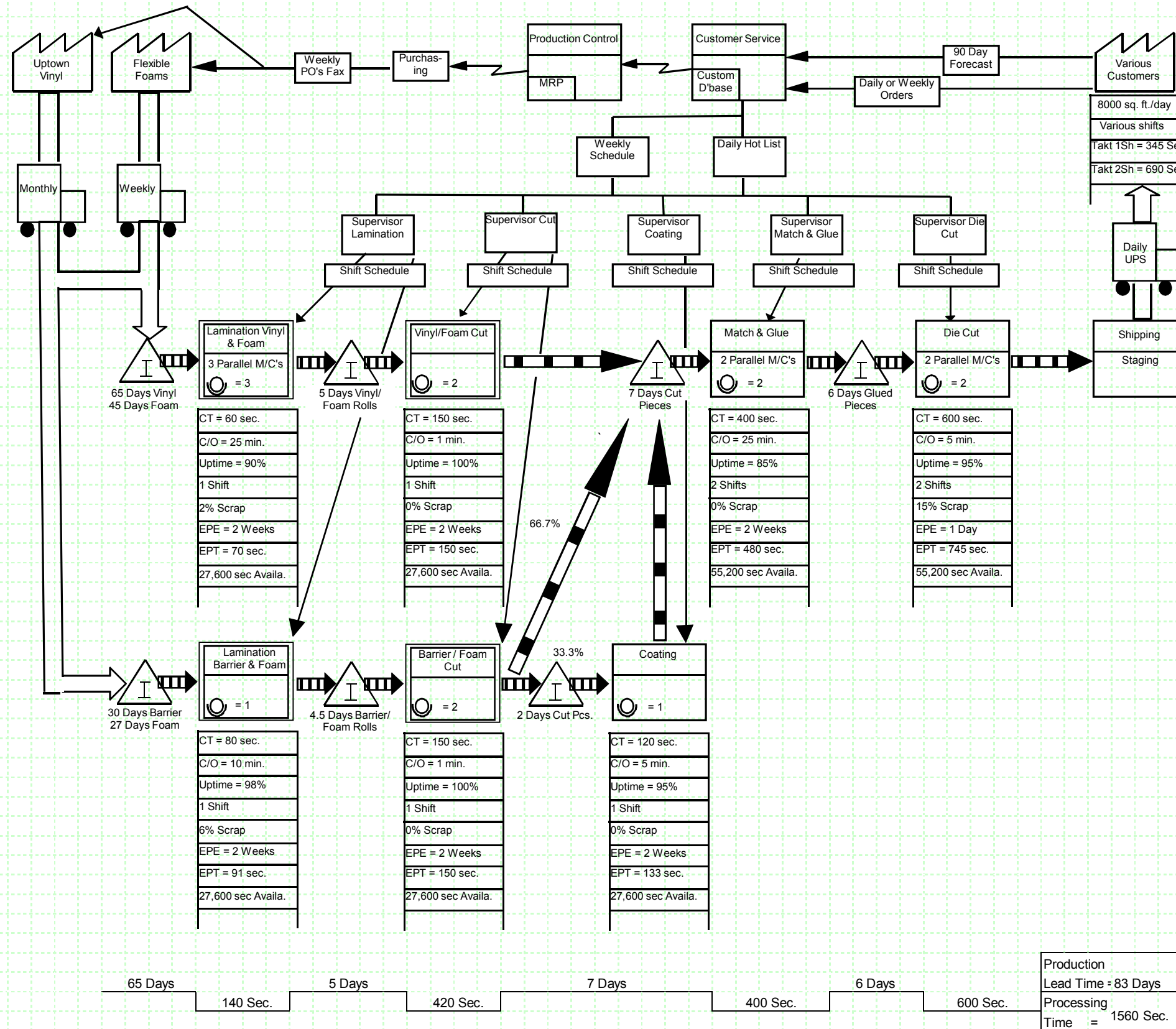


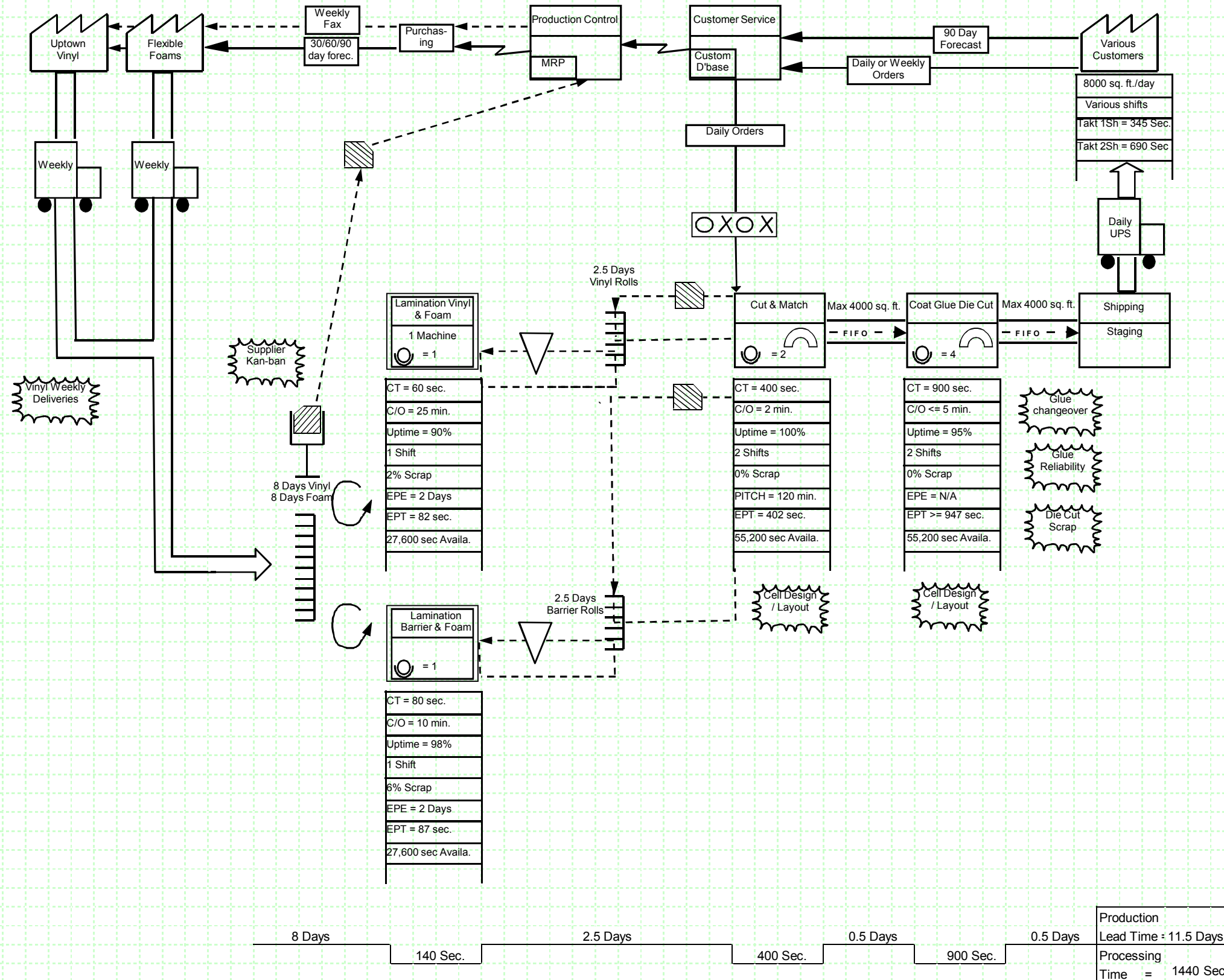
### LEAN LAMINATION FALCON LINE CURRENT STATE MAP



### Value Stream Mapping Icons

MATERIAL FLOW ICONS	INFORMATION FLOW ICONS
Press	Electronic Info Flow
Manufacturing Process	Weekly Schedule
Heat Treat	Schedule
Manufacturing Process Shared	Load Leveling
XYZ Corp.	Withdrawal Kanban
Outside Sources	Production Kanban
Data Box C/T = 25 C/O = 40 2 Shifts Takt = 1s	Signal Kanban
Inventory Box	Kanban Post
Truck Shipment	Sequenced Pull Ball
PUSH Arrow	Go See Production Scheduling
Finished Goods to Customer	First-In-First-Out Sequence Flow
FIFO	<b>GENERAL ICONS</b>
Supermarket	Kaizen Lightning Burst
Physical Pull	Buffer or Safety Stock
Move by Forklift	Operator
Boat Shipment	Quality Problem

**LEAN LAMINATION  
FALCON LINE FUTURE STATE MAP**



**Value Stream Mapping Icons**

**MATERIAL FLOW ICONS**    **INFORMATION FLOW ICONS**

- Press
- Manufacturing Process
- Heat Treat
- Manufacturing Process Shared
- XYZ Corp.
- Outside Sources
- C/T = 25, C/O = 40, 2 Shifts, Takt = 1s
- Data Box
- Inventory Box
- 2X per Week
- Truck Shipment
- PUSH Arrow
- Finished Goods to Customer
- FIFO
- First-In-First-Out Sequence Flow
- Supermarket
- Physical Pull
- Move by Forklift
- Boat Shipment
- Electronic Info Flow
- Weekly Schedule
- Schedule
- Load Leveling
- Withdrawal Kanban
- Production Kanban
- Signal Kanban
- Kanban Post
- Sequenced Pull Ball
- Go See Production Scheduling
- GENERAL ICONS
- Kaizen Lightening Burst
- Buffer or Safety Stock
- Operator
- Quality Problem